



A UTC Fire & Security Company

Intellity RFID Energy Saving Device

- Allows significant reduction in power consumption.
- Cuts electric circuits after a 1 minute delay.
- Recognises MiFare® technology cards.
- Attractive blue light for easy location in the dark.
- Green and red lights to indicate validity.
- Designed to be installed in a standard electrical box (square or rounded).
- No need to communicate with portable programmer.
- Compatible with Onity *ADVANCE* RFID lock range. System can be configured in such way that one same card works with 3 devices: room lock, energy saver and locker.

Weight: 125gr

Dimensions: 87 x 76 x 30 mm (H x W x D)

Packing: Plastic bag

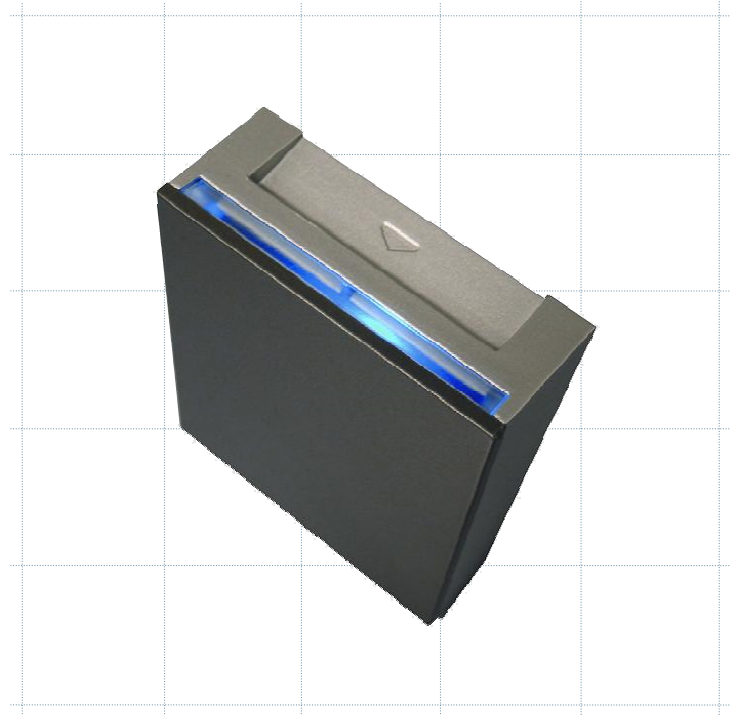
Standard colours:



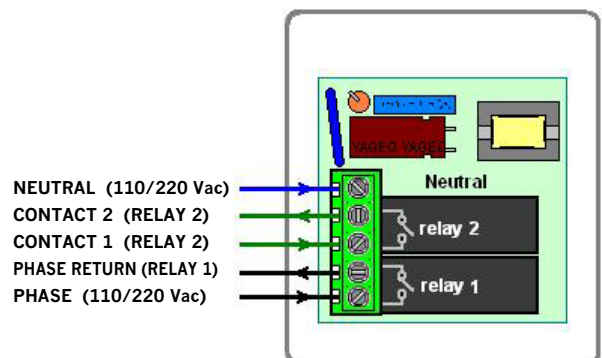
Power Consumption: Nominal 16mA, Max. 23mA

Power Supply:

Voltage: 110 or 230 Vac. Tolerance 10%
 Frequency: 50 – 60 Hz
 Output: 2 Relays
 Power cut-off: 12A, 250V~,cos φ = 1
 8A, 250V~,cos φ = 0,6
 Incandescent Max. Load: 10A
 Halogen Max. Load: 10A



Connections Diagram



IMPORTANT: Halogen, electronic fluorescent and low consumption lamps present a very high consumption (up to 20Amp) at switch-on and switch-off time, rapidly damaging relay contacts. If this type of lamps are being used, Onity recommends to use a contactor.